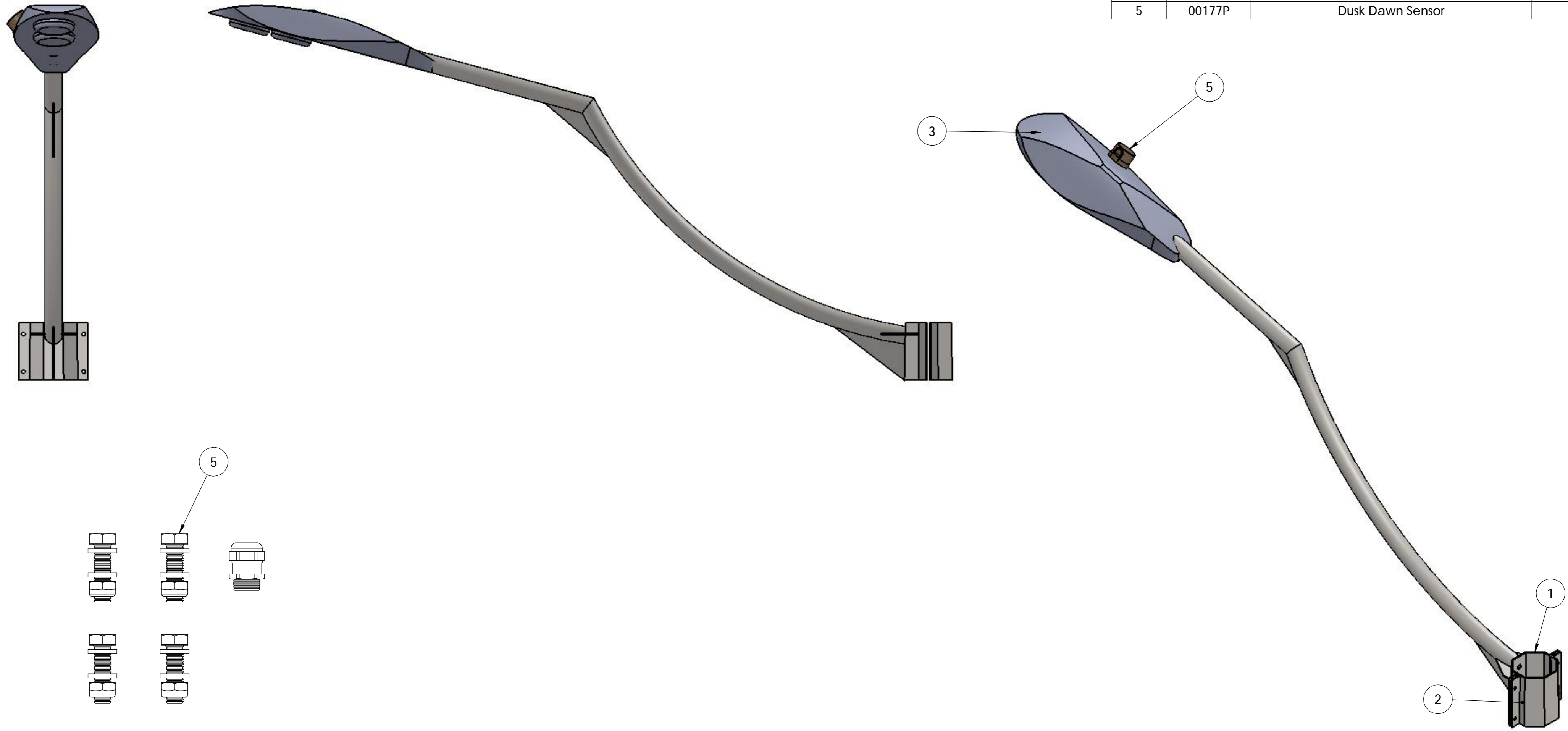



ITEM NO.	PART NUMBER	DESCRIPTION	AS0008/QTY.
1	00021P	RPU Light Bracket	1
2	00022P	RPU Light Bracket Clamp	1
3	00020P	RPU Shenzhen Lux LED Light 24V SL-LX800A-80W	1
4	00170A	Single Light Fixing Pack	1
5	00177P	Dusk Dawn Sensor	1

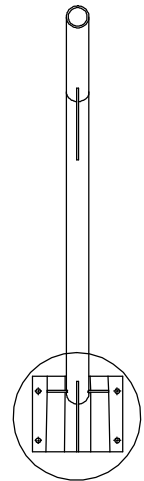


Note:
Unit to be packed for shipping. Including;
1. Packing List: 00221L-A
2. Product Label: 00222L-A

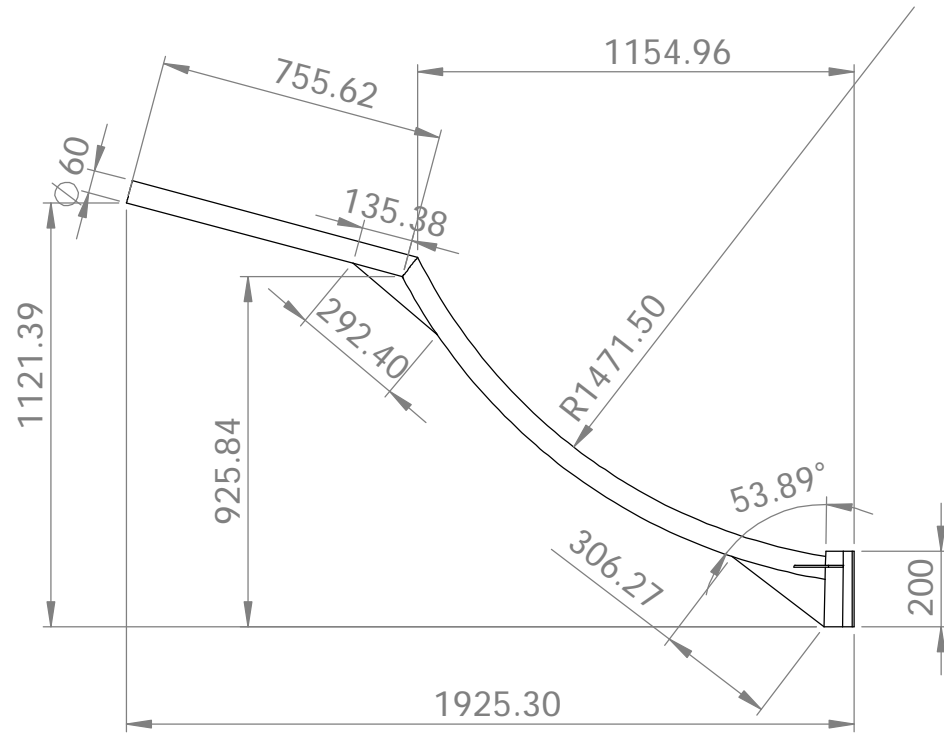
Revisions				Rev. Date	Appv'd
Rev.	Description				

UNLESS OTHERWISE SPECIFIED DIMENSIONS ARE IN MILLIMETERS SURFACE FINISH TOLERANCES: LINEAR: ANGULAR:		FINISH:	DEBUR AND BREAK SHARP EDGES	TITLE: Single Light Assembly
NAME	CHK'D	DATE	DO NOT SCALE	DWG NO. AS0008
DRAWN			Dimensional Tolerances	REVISION A
MODIFIED			0 ±0.05mm	
APPROV'D			0.0 ±0.25mm	
			0.00 ±0.1mm	
			Angular ±1°	
SCALE: 1:10	SHEET 1 OF 1	MATERIAL:		
A2	ISO SYMBOL	WEIGHT: 31.7g		

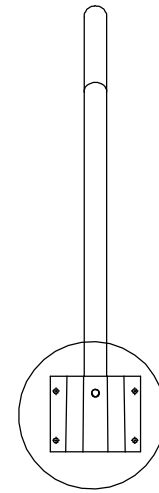




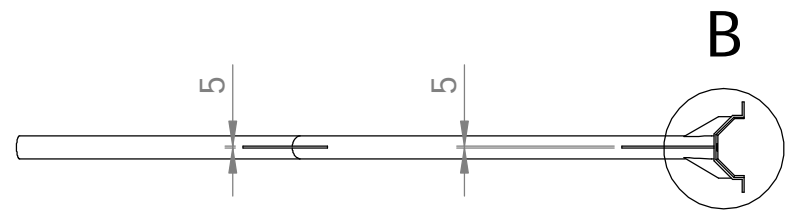
A
End Elevation
Scale 1:20



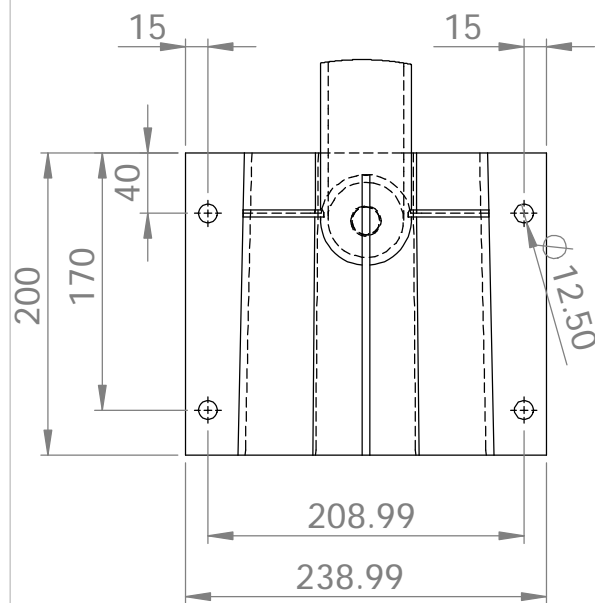
Front Elevation
Scale 1:20



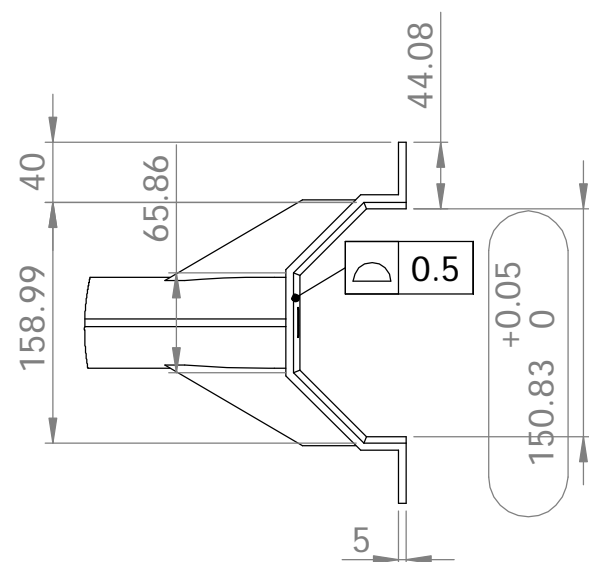
C
End Elevation
Scale 1:20



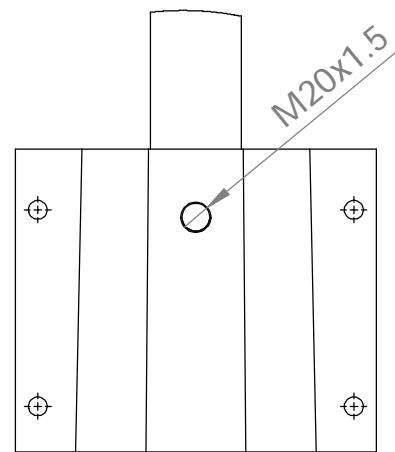
B
Base View
Scale 1:20



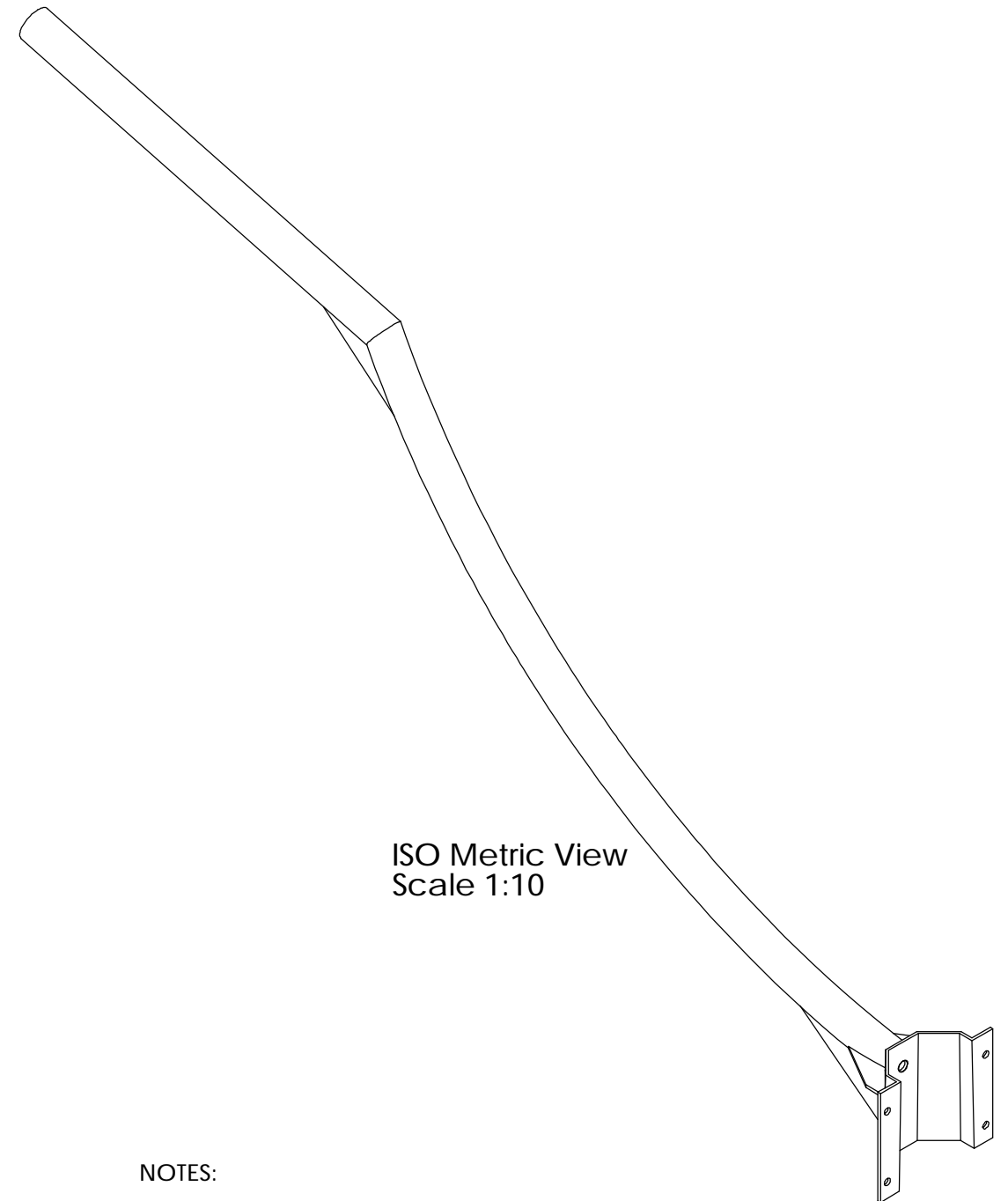
DETAIL A
SCALE 1 : 5



DETAIL B
SCALE 1 : 5



DETAIL C
SCALE 1 : 5



ISO Metric View
Scale 1:10

NOTES:

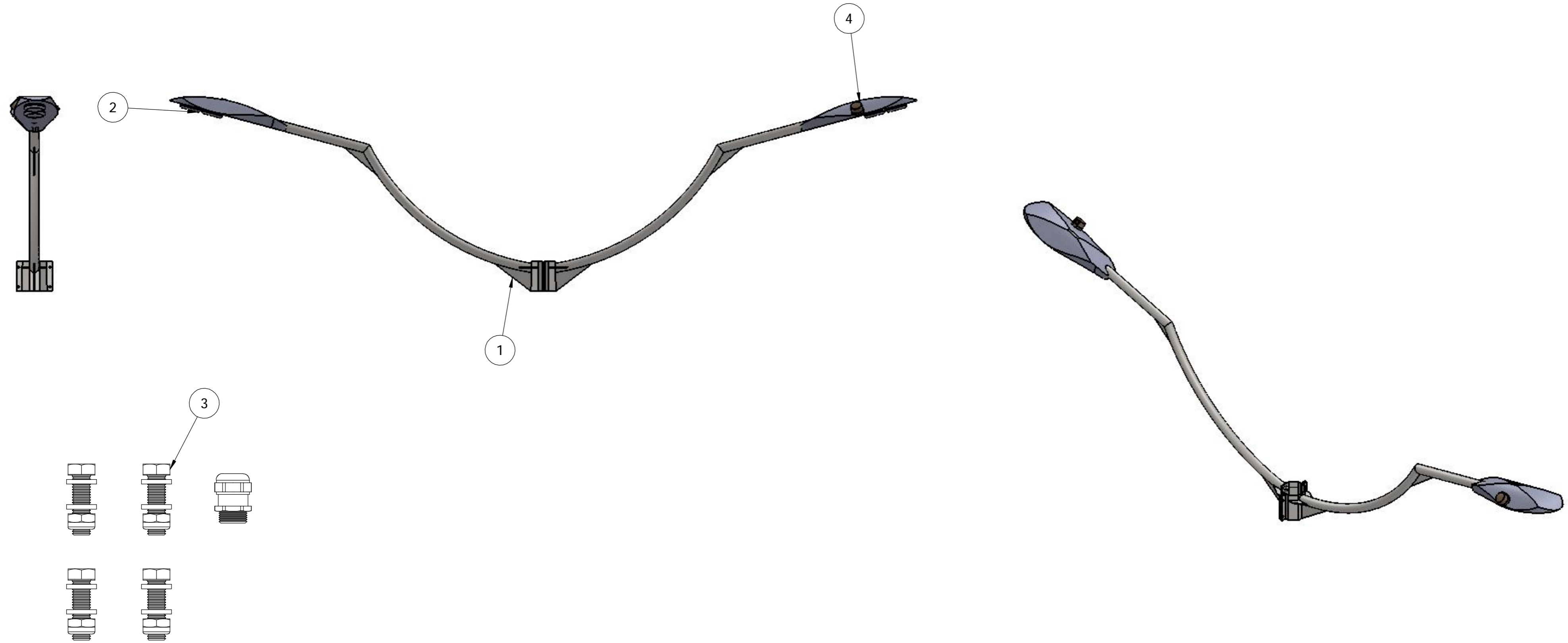
1. MANUFACTURE PER PRECISION STEEL FABRICATION & WELDMENTS STANDARD, ANNEX D OF BS EN 1090-2.
2. UNLESS OTHERWISE SPECIFIED ALL TOLERANCES TO BE IN ACCORDANCE WITH DIN 6930.
3. REFER TO 3D CAD MODEL FOR FURTHER DIMENSIONAL & PROFILE DETAILS.
4. ALL DIMENSIONS TO BE CHECKED BY SUPPLIER IN FIRST ORDER REPORT.

Revisions			
Rev.	Description	Rev. Date	Appv'd
A	FIRST ISSUE	16/01/15	T.W.
B	DIMENSIONS CHANGED.	03/02/15	T.W.
C	THREAD SIZE INCREASED FROM M16 TO M20	10/02/15	T.W.
D	MATERIAL SPECIFICATION REVISED.	13/02/15	T.W.

UNLESS OTHERWISE SPECIFIED: DIMENSIONS ARE IN MILLIMETERS SURFACE FINISH: TOLERANCES: LINEAR: ANGULAR:		FINISH: Galvanised 85µm BS EN ISO 1461	DEBUR AND BREAK SHARP EDGES	TITLE: RPU - Light Bracket
NAME A.R.	CHKD T.W.	DATE 16/01/15	DO NOT SCALE	DWG NO. 00021P
MODIFIED DS	T.W.	13/02/15	Dimensional Tolerances 0. ±0.5mm 0.0 ±0.25mm 0.00 ±0.1mm	REVISION D
SCALE:1:20	SHEET 1 OF 1	ANGULAR: ±1°	MATERIAL: 1.0114 (S235J0)	
A3	ISO SYMBOL:	WEIGHT: 18.28		



ITEM NO.	PART NUMBER	DESCRIPTION	AS0007/QTY.
1	00021P	RPU Light Bracket	2
2	00020P	RPU Shenzhen Lux LED Light 24V SL-LX800A-80W	2
3	00171A	Dual Light Fixing Pack	1
4	00177P	Dusk Dawn Sensor	2



Note:
Unit to be packed for shipping. Including;
1. Packing List: 00218L-A
2. Product Label: 00219L-A

Revisions				Rev. Date	Appv'd
Rev.	Description				
A	FIRST ISSUE			16/02/15	TW
UNLESS OTHERWISE SPECIFIED: DIMENSIONS ARE IN MILLIMETERS SURFACE FINISH TOLERANCES: LINEAR ±0.1mm ANGULAR ±1°					
DRAWN: AR TW 16/02/15				DO NOT SCALE	DWG NO. AS0007
MODIFIED:				Dimensional Tolerances	REVISION A
APPROVED:				0 ±0.05mm	
SCALE: 1:20				0.05 ±0.25mm	
SHEET 1 OF 1				0.00 ±0.1mm	
A2				Angular ±1°	
ISO SYMBOL				MATERIAL: SEE COMPONENT SPECIFICATION	
				WEIGHT: 58.43	

Dual Light Assembly

