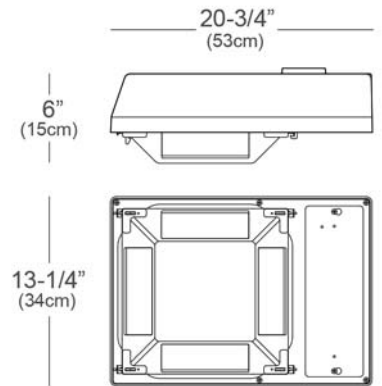





## N125SC-S4/S3



Weight: 21 lbs  
EPA : 0.6

### USE & FEATURES:

- PARKING LOTS, ROADWAYS, AREA LIGHTING
- SEMI CUT OFF OPTICAL SYSTEM
- 356 ALUMINUM ALLOY
- TOOL FREE LATCH SYSTEM
- IP 66 CERTIFIED
- LM79 AND LM80 STANDARD
-  ETL US
- OPERATING TEMP. -40°C TO 75°C
- 0.90 POWER FACTOR
- LUMENS/WATT 70
- CRI 73
- 50,000 HRS. -L70
- 5 YEAR WARRANTY

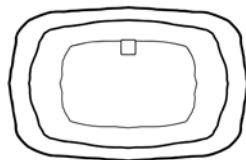
### EXAMPLE

N125SCS4	B	A	4	3	A	PH
MODEL NO.	WATTAGE S4	DRIVER VOLTAGE	LED COLOR TEMP.	COLOR	MOUNTING	OPTIONS
N125SCS4	140 (A)	120-277 (A)	3000K (3)	BLACK (1)	POLE MT (A)*	PHOTO CONTROL (PH)
N125SCS3	120 (B)	347-480 (B)	4000K (4)	WHITE (2)	POLE MT (B)*	
	100 (C)	CUSTOM	5000K (5)	BRONZE (3)	WALL MT (C)	
	60 (D)	DIMMABLE (C)		GREY (4)	CEILING MT (D)	
	S3			GREEN (5)	CUSTOM (E)	
	126 (E)			NO PAINT (6)		
	105 (F)			CUSTOM (7)		
	75 (G)					
	45 (I)					

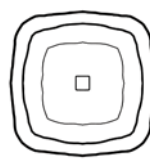
\*POLE MT (A) MB6 RECTANGULAR 2" X 3" HUB

\*POLE MT (B) MT23 CIRCULAR 2-7/8" HUB

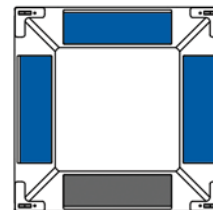
**6 LED Modules per Side**  
S3 = 3 Sides  
S4 = 4 Sides



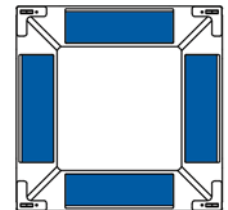
Type III (3)  
Rectangular



Type V (4)  
Square



S3 = 3 Sides  
126W Max.



S4 = 4 Sides  
140W Max.

### Semi Cut Off Optical System - 45W to 140W

The reflectors used in our optical systems are made of 0.02" thick anodized & PVD coated aluminum with a total reflection of 98% in the full visible spectrum range, from 380 to 780 nanometers. They are precisely configured to maximize the light distribution and deliver a close to perfect uniformity.